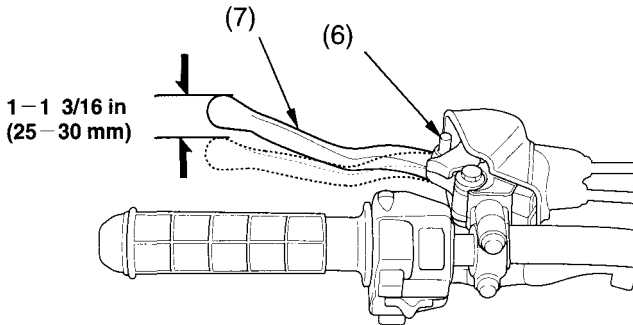


Brakes

5. Push down the parking brake pin (6) and then squeeze the clutch lever (7) until firm resistance is felt. Measure the distance the clutch lever has moved; the distance should be:
1 – 1 3/16 in (25 – 30 mm)
6. If necessary, turn the adjuster (2) and tighten the lock nut (1).
Adjust the clutch lever free play (page 102) is:
3/8 – 13/16 in (10 – 20 mm)

LEFT HANDLEBAR



- (6) parking brake pin
(7) clutch/parking brake lever