

Suspension

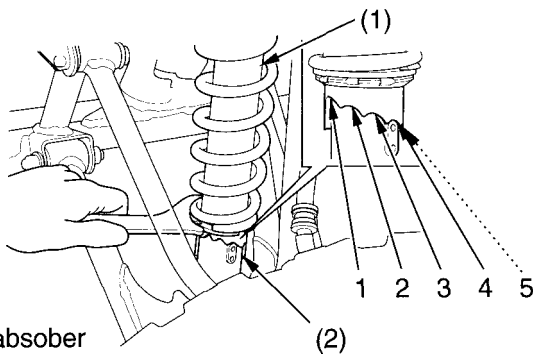
Front Suspension Adjustment

The front suspension can be adjusted for rider weight and riding conditions by changing the spring pre-load and rebound damping.

The front shock absorber assembly includes a damper unit that contains high pressure nitrogen gas. Do not attempt to disassemble, service, or dispose of the damper; see your Honda dealer. The instructions found in this owner's manual are limited to adjustments of the shock assembly only.

Front Suspension Spring Pre-load

Refer to *Safety Precautions* on page 71 .



- (1) shock absorber
- (2) adjuster

The spring pre-load adjuster (2) has 5 positions for different load or riding conditions.

Use the spanner to adjust the shock spring pre-load.