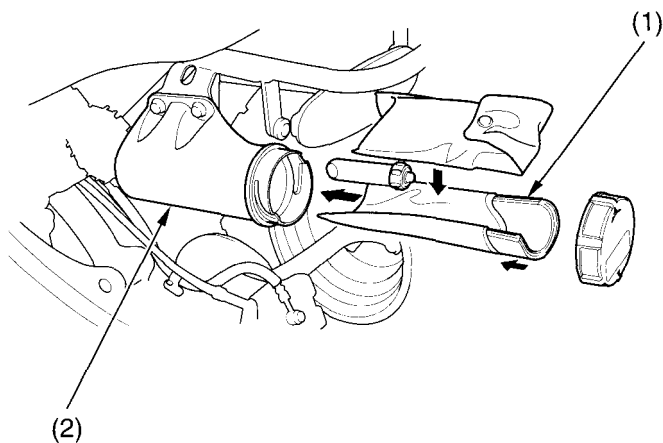


Owner's Manual Storage

Your ATV provides storage for the owner's manual so you'll have it with you for easy reference. Store your owner's manual (1) in the storage compartment (2) below the rear fender.

Be careful not to flood this area when washing your ATV or through water.



(1) owner's manual

(2) storage compartment