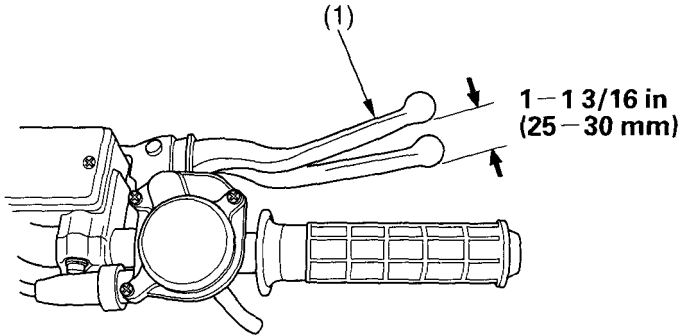


## Front Brake Lever Freeplay & Shoe Lining Clearance

### RIGHT HANDLEBAR



(1) front brake lever

1. Measure the distance the brake lever moves before the brakes start to take hold. Freeplay, measured at the tip of the front brake lever (1) should be:  
1 - 1 3/16 in (25 - 30 mm)

The stop/taillights are activated by applying the parking brake. When using the parking brake, be sure to turn the ignition switch OFF to avoid discharging the battery.

(cont'd)