

# Controls & Features

---

## Utility Box

The utility box (1) is located on the left side of the fuel tank. You may store small, lightweight items in the box.

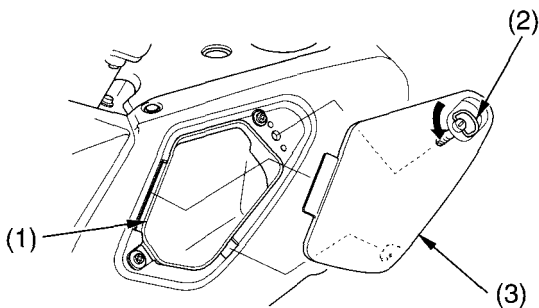
### To open:

Lift the D-ring (2) on the quick-release fastener. Turn it counterclockwise until it releases. Remove the utility box cover (3).

### To close:

Position the cover and turn the D-ring clockwise until it secures the cover.

### LEFT SIDE



(1) utility box  
(2) D-ring

(3) utility box cover