

7. Soak the air cleaner in Pro Honda Foam Filter Oil or an equivalent [Canadian Vehicles: gear oil (SAE 80–90)] until saturated, then squeeze out the excess oil.

CAUTION:

Twisting the air cleaner when squeezing out excess oil could damage the air cleaner.

8. Reassemble by reversing the disassembly sequence.

Dust cover

If the dust cover (1) (Fig. 4-6) is dirty, clean it.

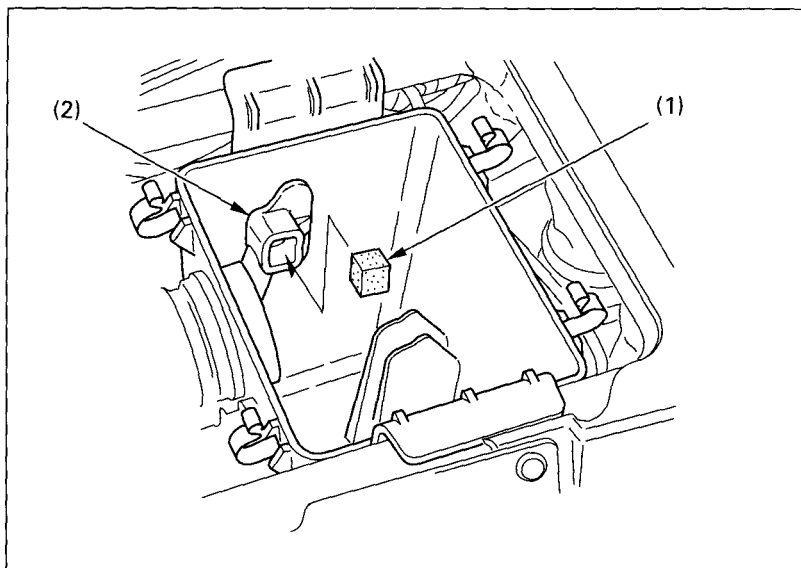


Fig. 4-6 (1) Dust cover
(2) Breather joint