

## Storage Compartment

The storage compartment (1) (Fig. 2-32) is below the rear cargo rack (2).

The owner's manual (5) and air pressure gauge (6) are located in a plastic tray (4) attached to the upper inside of the storage compartment.

To open the compartment, unhook the rubber strap (3).

To open the plastic tray, push down the rear end of the plastic tray.

The owner's manual (5) and air pressure gauge (6) should be stored in the plastic tray (4). The tool kit (7) and gear change tool (8) should be stored in the storage compartment (1).

Be careful not to flood this area when washing your FOURTRAX or riding through water.

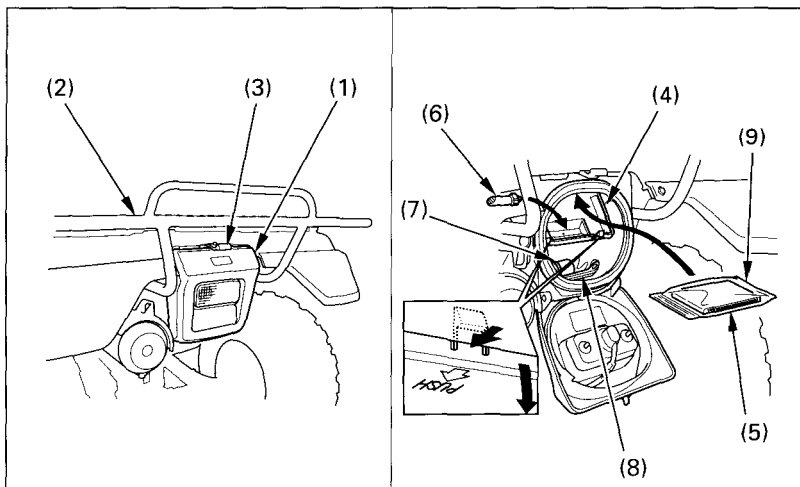


Fig. 2-32 (1) Storage compartment

(2) Rear cargo rack

(3) Rubber strap

(4) Plastic tray

(5) Owner's manual

(6) Air pressure gauge

(7) Tool kit

(8) Gear change tool

(9) Owner's manual bag