

## Fuel Fill Cap

After refueling, be sure to tighten the fuel fill cap (Fig. 2-26) until it clicks.

Insert the breather tube ( 2 ) into the handlebar cover hole ( 3 ).

To refuel refer to page 100 .

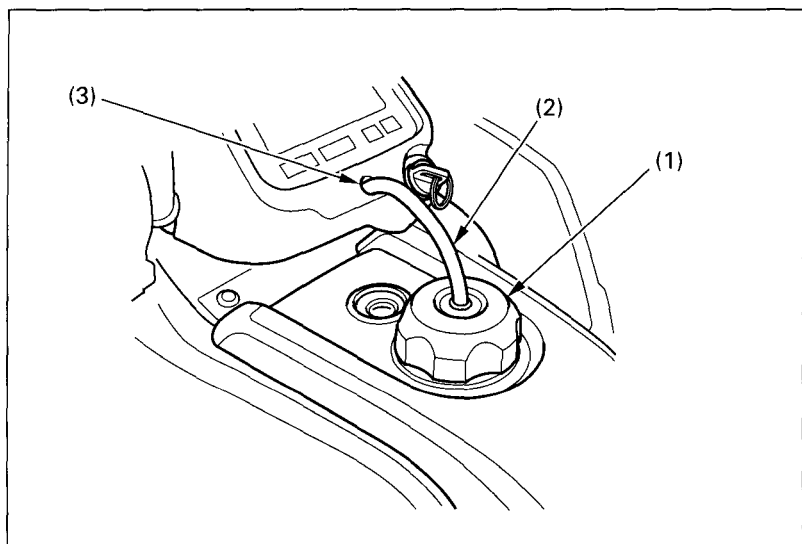


Fig. 2-26 (1) Fuel fill cap

(2) Breather tube

(3) Handlebar cover hole