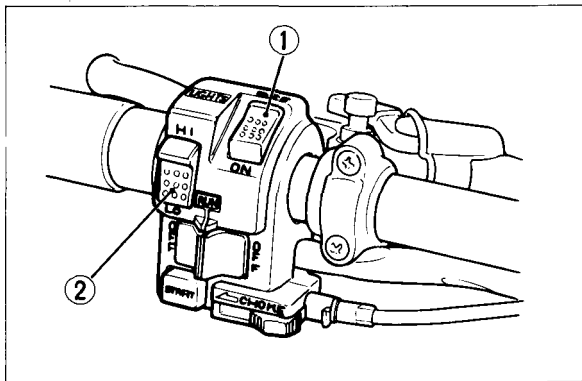


Headlight and Dimmer Switches

The headlight (1) and headlight dimmer (2) switches are above the engine stop switch.

Turning the headlight switch ON causes the headlight and any accessory lights to light. Select headlight beam (HI) or low beam (LO) with the dimmer switch.



(1) Headlight switch (2) Headlight dimmer switch

Engine Oil Temperature Warning Lamp

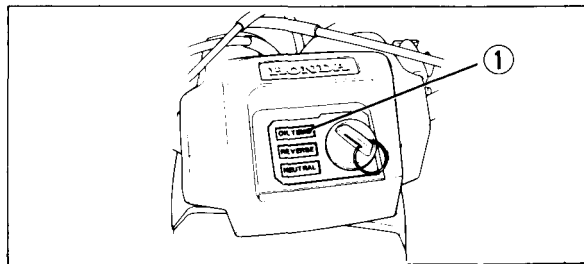
When the engine oil temperature becomes too high, the engine oil temperature warning lamp will light.

NOTE:

The engine oil temperature warning lamp will light but go out several seconds after turning the ignition switch ON.

CAUTION:

- * If the engine oil temperature warning lamp lights while you are riding, stop the vehicle with the engine running at the idle speed to let it cool. Failure to stop the vehicle immediately will adversely affect the service life of the engine.



(1) Engine oil temperature warning lamp