

### Starter Button

The starter button (Fig. 2-7) is below the engine stop switch. To start the engine, press the starter button (1), with the transmission in neutral, the ignition switch I (ON) and the engine stop switch (2) at O (RUN).

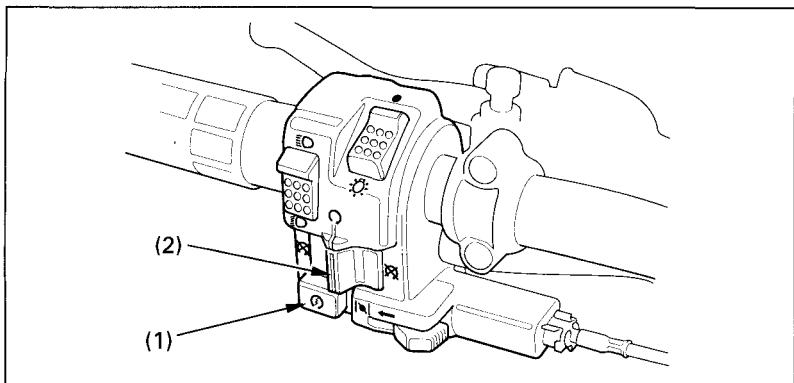


Fig. 2-7 (1) Starter button

(2) Engine stop switch

### Starting Primer Knob

The starting primer knob (Fig. 2-8) is on the carburetor float bowl on the left side of the FOURTRAX. To start the engine when air temperature is below  $-15^{\circ}\text{C}$  ( $5^{\circ}\text{F}$ ), push the knob in once or twice before pressing the starter button.

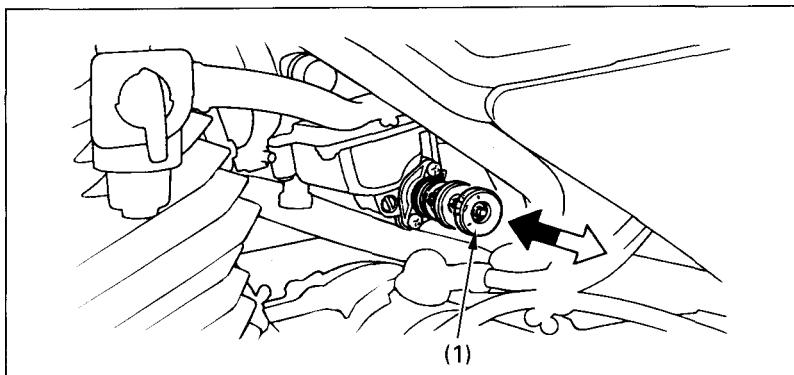


Fig. 2-8

(1) Starting primer knob