

Fig. 2-22 (1) Trailer hitch (2) An example ball

Storage Compartment

The storage compartment (Fig. 2-23) is behind the seat. To open the compartment, unhook the rubber straps (3) and lift the hinged section of the rear rack (4). The *Owner's Manual* (5), tool kit (6), and air pressure gauge (7) should be stored in the storage compartment. To secure the *Owner's manual* in the compartment, use the manual holder (8) and hook (9).

Be careful not to flood this area when washing your FOURTRAX.

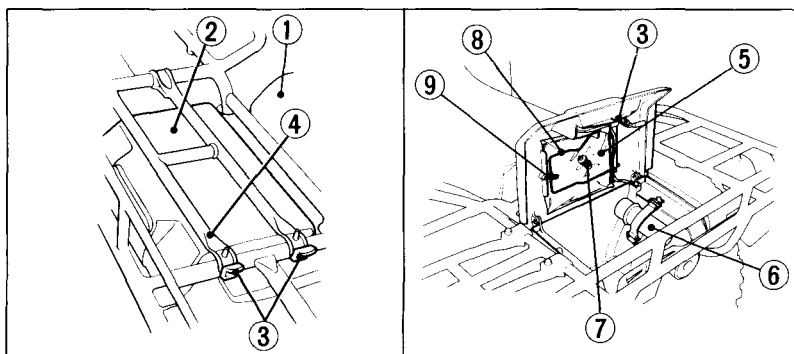


Fig. 2-23

- | | |
|------------------------------|------------------------|
| (1) Seat | (4) Rear rack section |
| (2) Storage compartment | (5) Owner's manual |
| (3) Rubber straps | (6) Tool kit |
| (For the rear rack section | (7) Air pressure gauge |
| and the storage compartment) | (8) Manual holder |
| | (9) Hook |