

Fig. 2-22 (1) Trailer hitch (2) An example ball

### Storage Compartment

The storage compartment (Fig. 2-23) is behind the seat. To open the compartment, unhook the rubber straps (3) and lift the hinged section of the rear rack (4). The Owner's Manual (5), tool kit (6), and air pressure gauge (7) should be stored in the storage compartment.

Be careful not to flood this area when washing your FOURTRAX.

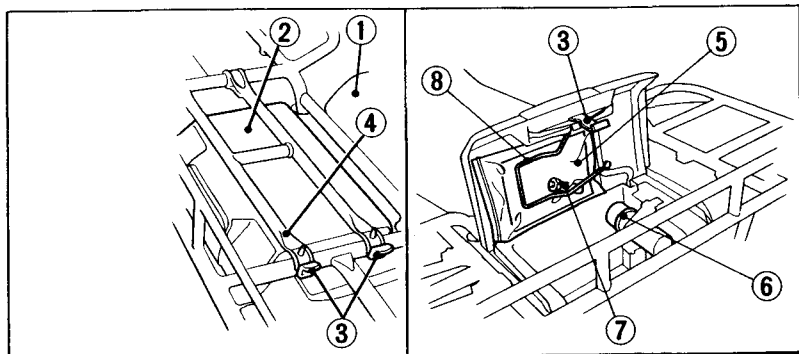


Fig. 2-23  
 (1) Seat  
 (2) Storage compartment  
 (3) Rubber straps  
 (4) Rear rack section  
 (5) Owner's manual  
 (6) Tool kit  
 (7) Air pressure gauge  
 (8) Manual holder  
 (For the rear rack section and the storage compartment)