

- (18) Helmet holder
- (19) Storage compartment, containing:
  - Tool kit
  - Air pressure gauge
  - Owner's manual
- (20) Fuel valve
- (21) Gearshift pedal
- (22) Starting primer knob
- (23) Left footpeg
- (24) Trailer hitch

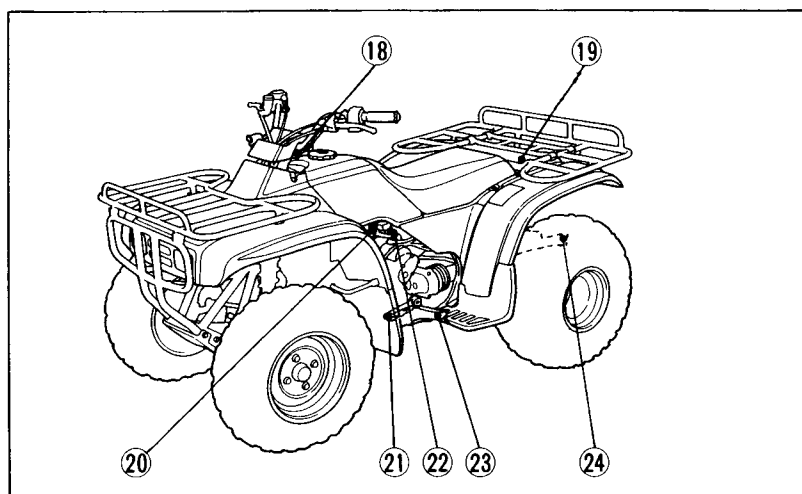


Fig. 2-3

Left side of FOURTRAX