

## FINAL DRIVE OIL

Change the final drive oil when specified by the Maintenance Schedule.

Recommended oil: HYPOID GEAR OIL SAE 80.

Change the oil with the final drive warm and the TRX300 on level ground to assure complete and rapid draining.

To change the final drive oil:

1. To drain the oil, first place an oil drain pan under the oil drain plug (Fig. 4-14).
2. Remove the oil filler cap (1) and the drain plug (2).
3. After the oil has completely drained, reinstall the drain plug. Drain Plug Torque: 12 N·m, 1.2 kg·m (9 ft-lb).
4. Fill the final drive with approximately 100 cc (3.3 US oz) of the recommended oil. Make sure the oil fills up to the lower edge of the filler hole (3).
5. Reinstall the oil filler cap.

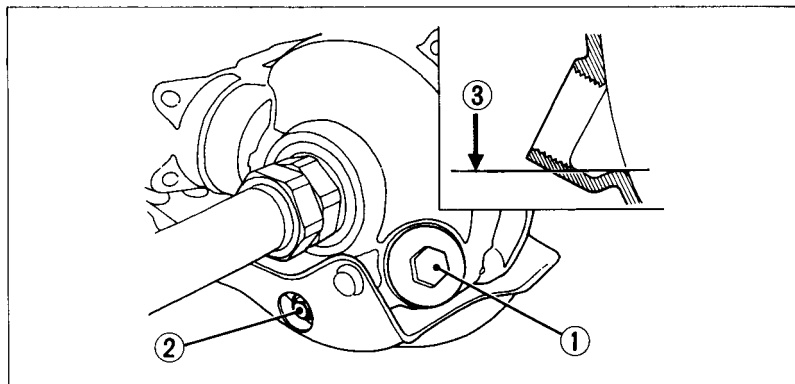


Fig. 4-14

(1) Oil filler cap

(2) Oil drain plug

(3) Lower edge of filler hole