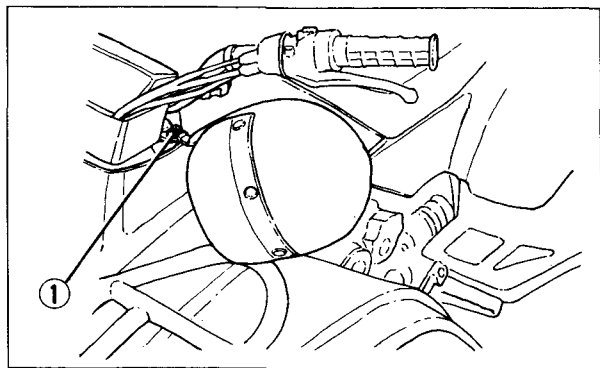


## Helmet Holder

The helmet holder (1) is located on the left side of the fork bridge. To use the helmet holder, hang your helmet on the holder by the D-ring.

### ▲ WARNING

\* ***Do not operate the FOURTRAX with a helmet attached to the holder; your ability to steer will be impaired. The helmet holder is designed for use only while the FOURTRAX is parked.***

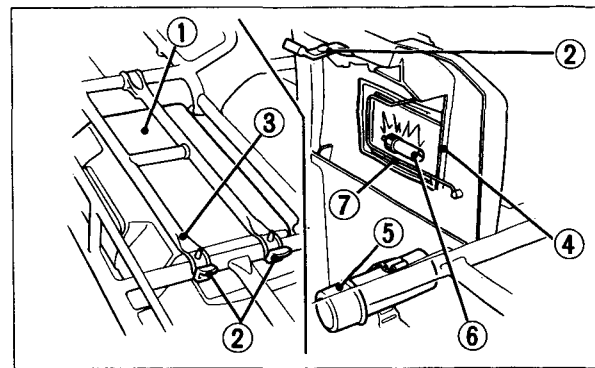


(1) Helmet holder

## Storage Compartment

The storage compartment (1) is behind the seat. Unhook the stopper rubbers (2) to open the carrier (3) and storage compartment. The owner's manual (4), tool kit (5) and air pressure gauge (6) should be stored in the storage compartment.

When washing your FOURTRAX or riding through water, be careful not to flood this area with water.



(1) Storage Compartment (4) Owner's manual  
(2) Stopper rubber (5) Tool kit  
(3) Carrier (6) Air pressure gauge  
(7) Manual holder