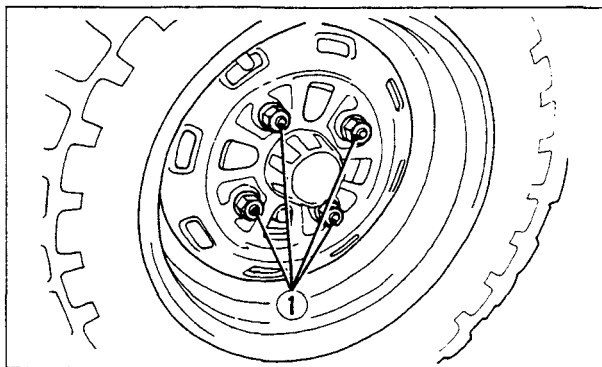


Front Wheel Removal

1. Place a support block under the vehicle and raise the front wheels off the ground.
2. Loosen the wheel nuts (1) with the 17 mm socket wrench.
3. Remove the wheel.



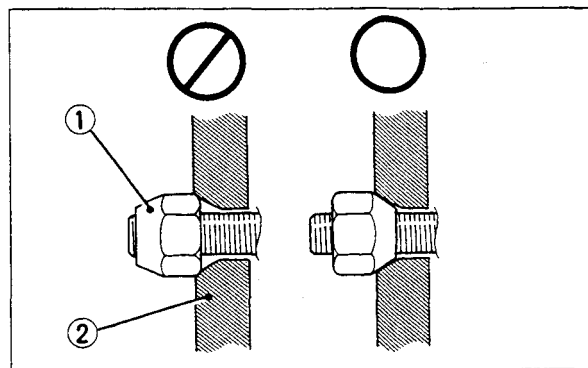
(1) Wheel nuts

Installation:

Reinstall the front wheels and tighten the wheel nuts (1) in a crisscross pattern to 60–70 N·m (6.0–7.0 kg-m, 43–50 ft-lb).

WARNING

- * *Install the wheel nuts with their tapers on the inside as shown. Improper assembly may cause the wheel to come loose.*
- * *If a torque wrench was not used for installation, see your authorized Honda dealer as soon as possible to verify proper assembly.*



(1) Wheel nut

(2) Wheel rim