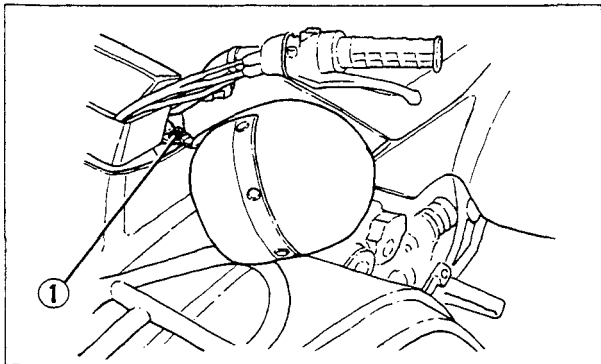


## Helmet Holder

The helmet holder (1) is located on the left side of the fork bridge. To use the helmet holder, hand your helmet on the holder.

### WARNING

\* *Do not operate the FOURTRAX with a helmet attached to the holder; your ability to steer will be impaired. The helmet holder is designed for use while the FOURTRAX is parked.*

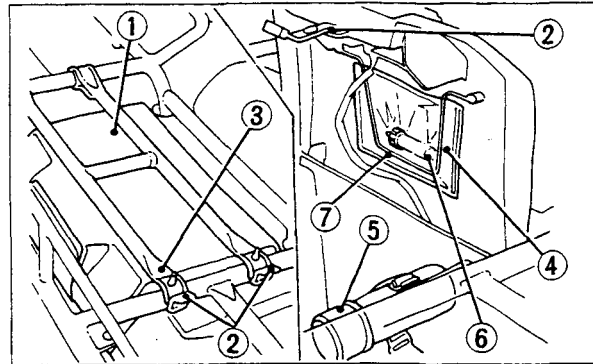


(1) Helmet holder

## Storage Compartment

The storage compartment (1) is behind the seat. Unhook the stopper rubbers (2) to open the carrier (3) and storage compartment. The owner's manual (4), tool kit (5) and air pressure gauge (6) should be stored in the storage compartment.

When washing your FOURTRAX or riding through the water, be careful not to flood this area with water.



- |                         |                        |
|-------------------------|------------------------|
| (1) Storage Compartment | (4) Owner's manual     |
| (2) Stopper rubber      | (5) Tool kit           |
| (3) Carrier             | (6) Air pressure gauge |
|                         | (7) Manual holder      |