

3. Remove the screws (2) (Fig. 4-6) and remove the air cleaner assembly (1) from the air cleaner housing.
4. *Unscrew the clamp (3) and remove the mounting bracket (4).*
5. Remove the air cleaner (5) from the air cleaner body (6).

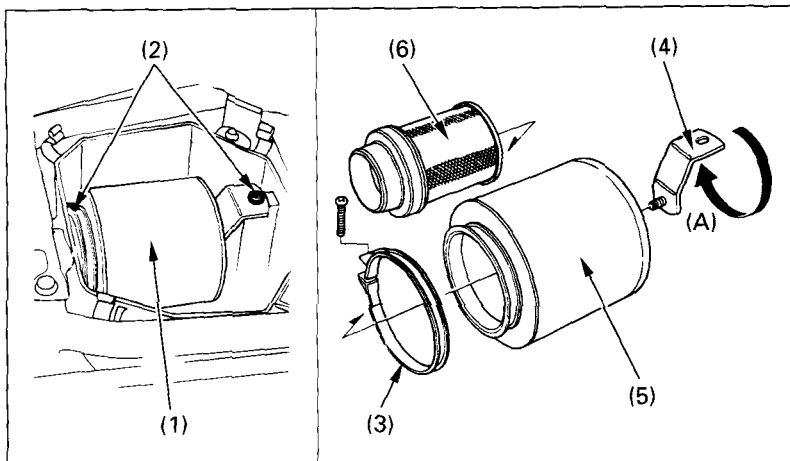


Fig. 4-6

(1) Air cleaner assembly  
 (2) Screws  
 (3) Clamp  
 (4) Mounting bracket

(5) Air cleaner  
 (6) Air cleaner body  
 (A) To release