

Starter Button

The starter button (Fig. 2-8) is below the engine stop switch. To start the engine, press the starter button (1), with the transmission in neutral, the ignition switch I (ON) and the engine stop switch (2) at O (RUN).

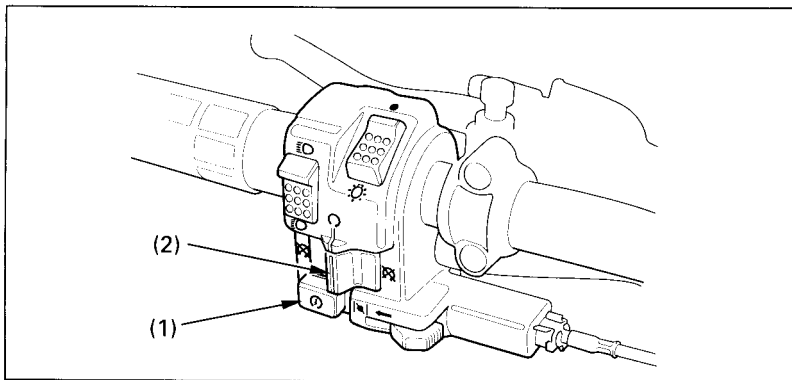


Fig. 2-8 (1) Starter button (2) Engine stop switch

Starting Primer Knob

The starting primer knob (Fig. 2-9) is on the carburetor float bowl on the left side of the FOURTRAX. To start the engine when air temperature is below -15°C (5°F), push the knob in once or twice before pressing the starter button.

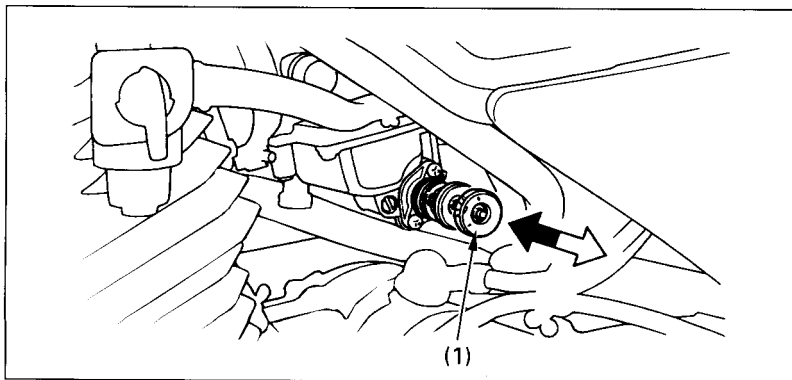


Fig. 2-9 (1) Starting primer knob