

Choke Lever

The choke lever (Fig. 2-6) is next to the starter button. The choke has three positions: full choke (A), half choke (B), and off (C).

To start a cold engine when air temperature is 50–90°F (10–35°C), move the choke lever left to the half choke position before pressing the starter button. At colder air temperatures, set the choke at the full choke position before pressing the starter button. As the engine warms, move the lever to the half choke position. After the engine is warm, move the choke right to the off position.

CAUTION:

Extended use of the choke may impair piston and cylinder wall lubrication and shorten the life of the engine.

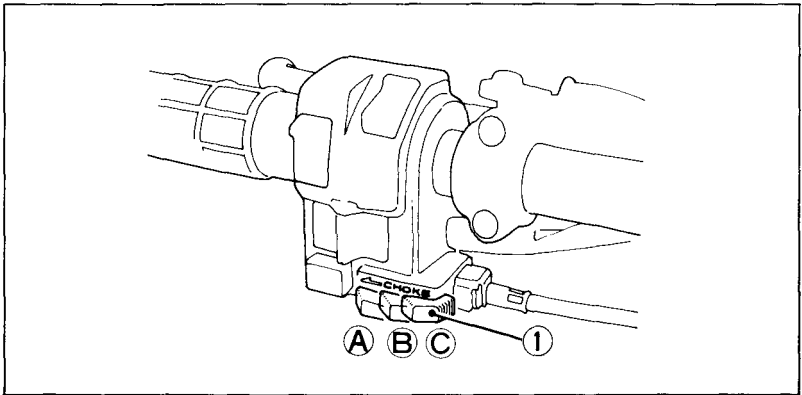


Fig. 2-6

(1) Choke lever

- (A) Full choke position
- (B) Half choke position
- (C) Off position