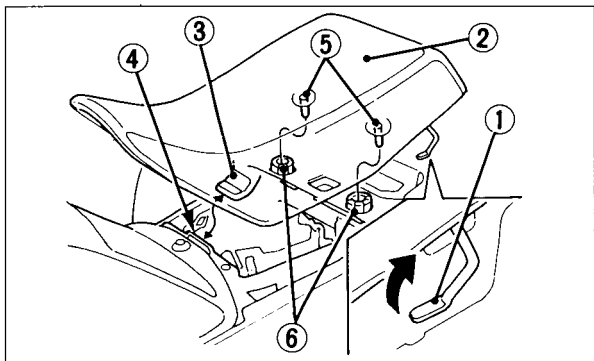


Seat Removal

1. Release the seat lock by pulling up the seat lock lever (1) at the left side of the seat.
2. Remove the seat (2) by lifting it upward.

Installations:

1. Insert the front prong (3) into the recess (4) and the rear studs (5) into the rubber mounts (6).
2. Secure the seat by pressing down until it locks.



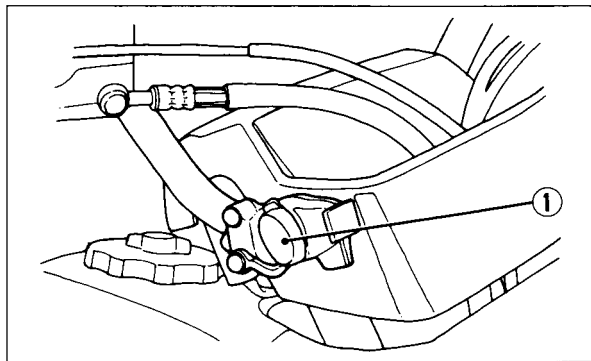
- | | |
|---------------------|-------------------|
| (1) Seat lock lever | (4) Recess |
| (2) Seat | (5) Rear studs |
| (3) Front prong | (6) Rubber mounts |

12V DC Power Supply

The direct current receptacle (1) is on the right side of the headlight. It provides 12V DC power at a maximum of 60 watts (5 Amps). The specified fuse is 15A.

WARNING

* *Never use a fuse with a different rating from that specified. Serious damage to the electrical system or a fire could result.*



- (1) Receptacle