


## STARTING THE ENGINE

### Preparation

1. Select a level surface and lock the parking brake (page 27 ) before starting the engine.
2. Turn the fuel valve ( 1 ) and ignition switch ( 2 ) to I ( ON ).
3. Make sure the engine stop switch ( 3 ) is at  ( RUN ).
4. Make sure that the transmission is in neutral by checking that the neutral indicator lamp ( 4 ) lights.

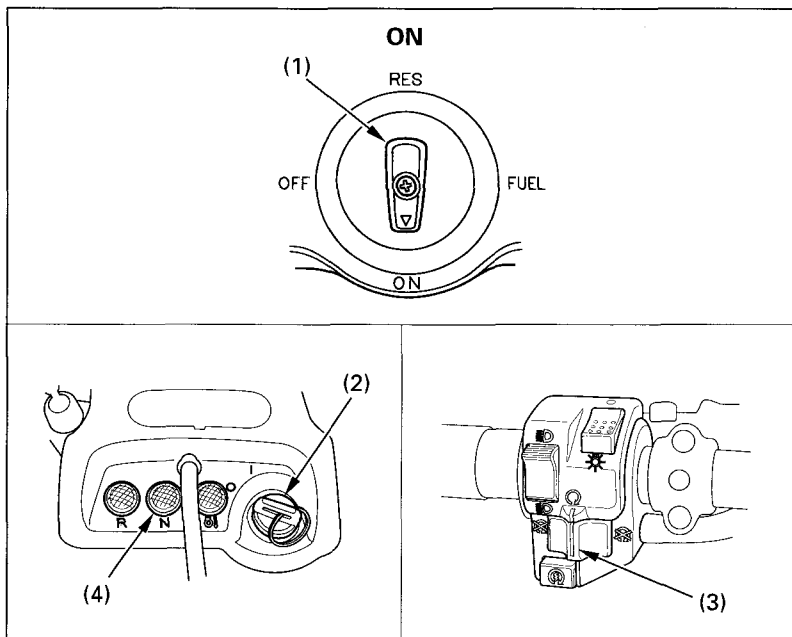


Fig. 3-8 (1) Fuel valve  
(2) Ignition switch

(3) Engine stop switch  
(4) Neutral indicator lamp