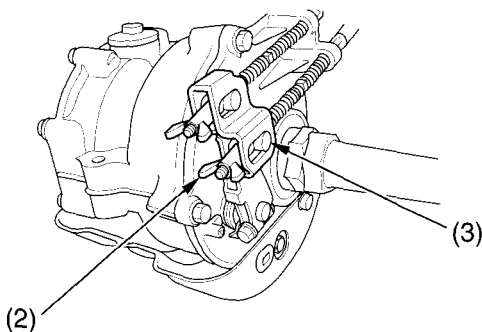


Adjustment

RIGHT REAR



- (2) brake pedal adjusting nut
- (3) brake arm pin

Turn the brake pedal adjusting nut (2), located on the brake operating rod at the rear of the frame. Make sure the cutout on the adjusting nut is properly seated on the brake arm pin (3).