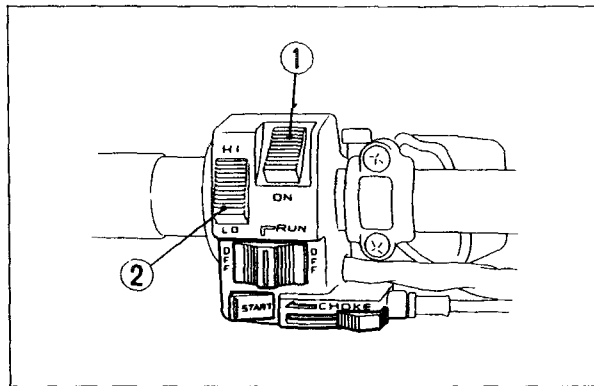


Headlight and Dimmer Switches

The headlight (1) and headlight dimmer (2) switches are above the engine stop switch.

Turn the headlight ON with the headlight switch, after the engine has been started, and select high beam (HI) or low beam (LO) with the headlight dimmer switch.



(1) Headlight switch (2) Headlight dimmer switch

Engine Oil Temperature Warning Lamp

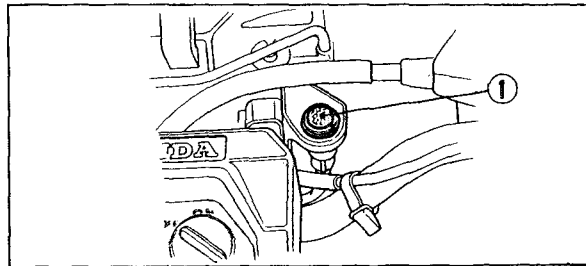
When the engine oil temperature becomes too high the engine oil temperature warning lamp will light.

CAUTION:

- * If the engine oil temperature warning lamp lights while you are riding, stop the engine immediately and let it cool. Failure to stop the engine immediately will adversely affect the service life of the engine.

If the warning lamp goes on frequently while riding, have your FOUR TRAX inspected by your authorized Honda dealer.

A heavy duty cooling fan is available as an optional part to provide more air flow through the radiator under adverse condition.



(1) Engine oil temperature warning lamp