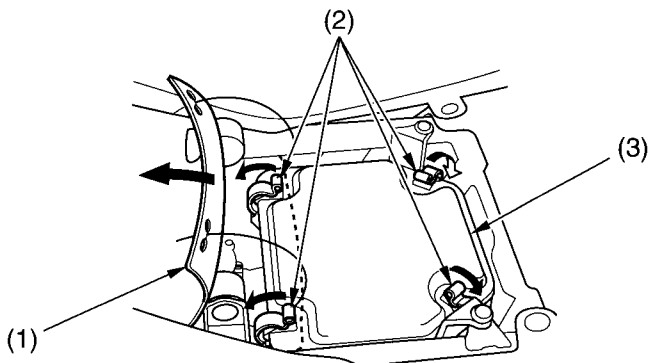


Air Cleaner

Cleaning

1. Remove the seat (page 86).
2. Uncover the rubber sheet (1) from the retainer clips (2).
3. Unlatch the four retainer clips.
4. Remove the air cleaner housing cover (3).

UNDER SEAT



(1) rubber sheet
(2) retainer clips

(3) air cleaner housing cover

(cont'd)