

## Storage Compartment

The storage compartment ( 1 ) (Fig. 2-18) is located under the seat. To remove the seat, see page 120.

The storage box (2) is stored in the storage compartment (1). The storage box contains the owner's manual (3) and tool kit (4) ( including the air pressure gauge ).

The owner's manual (3) and spare fuse (5) should be stored in the plastic document bag (6). The storage box should be stored in the storage compartment.

Be careful not to flood this area when washing your Sportrax or riding through water.

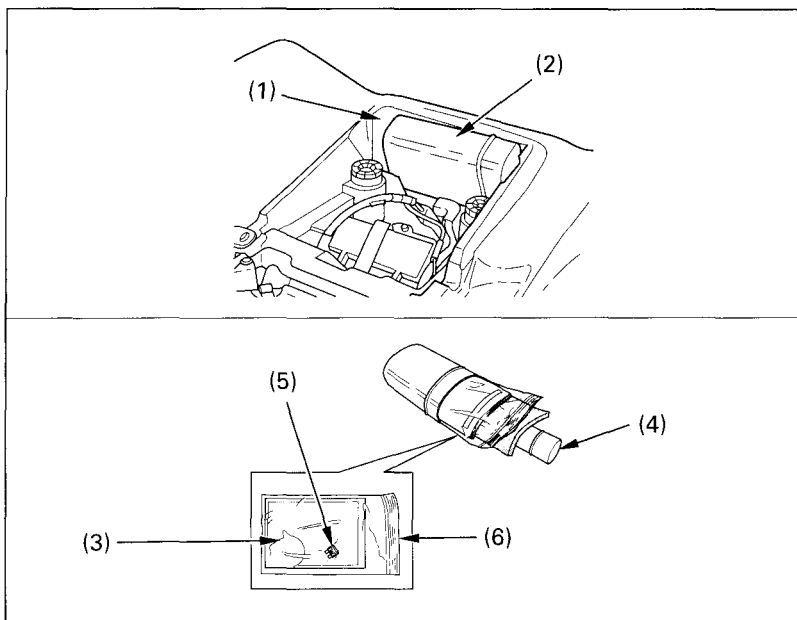


Fig. 2-18      (1) Storage compartment      (4) Tool kit  
                  (2) Storage box                    (5) Spare fuse  
                  (3) Owner's manual                (6) Plastic document bag