

## Battery Removal

1. Make sure the ignition switch is OFF ( O ).
2. Remove the seat ( page 124 ).
3. Release the rings and remove the rubber band ( 2 ).
4. Disconnect the negative ( - ) terminal lead ( 3 ) from the battery ( 1 ) first, then disconnect the positive ( + ) terminal lead ( 4 ).
5. Remove the battery.
  - \* Install in the reverse order of removal.
  - \* Check all bolts and other fasteners are secure.
  - \* After installing the battery, check to see if the battery cables are routed correctly.

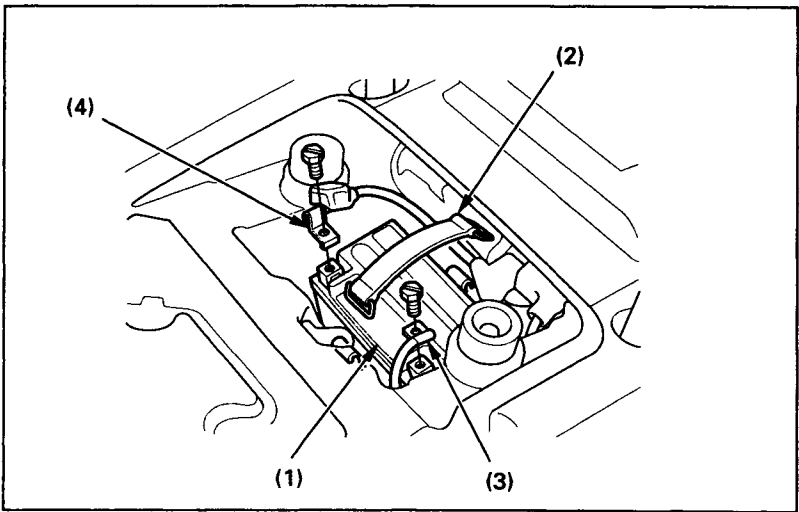


Fig. 4-17

(1) Battery  
(2) Rubber band

(3) Negative ( - ) terminal lead  
(4) Positive ( + ) terminal lead