

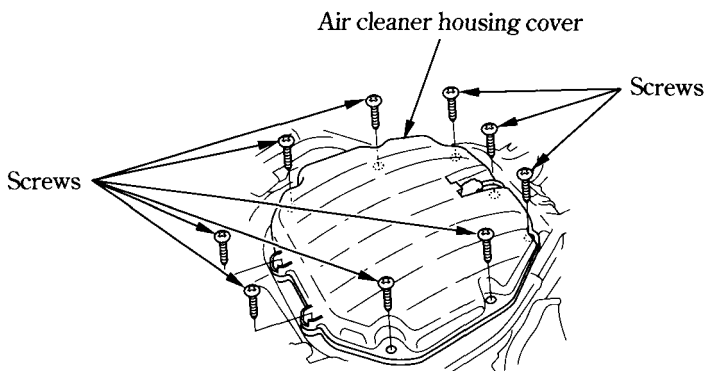
MAINTENANCE

AIR CLEANER

Refer to the Safety Precautions on page 77 .

The air cleaner should be serviced at regular intervals (page 79). Service more frequently when riding in unusually wet or dusty areas.

1. Raise the fuel tank (page 63).
2. Remove the air cleaner housing cover by removing the screws.



3. Remove and discard the air cleaner.
4. Install a new air cleaner.

Use the Honda genuine air cleaner or an equivalent air cleaner specified for your model. Using the wrong Honda air cleaner or a non-Honda air cleaner which is not of equivalent quality may cause premature engine wear or performance problems.

5. Install the removed parts in the reverse order of removal.

