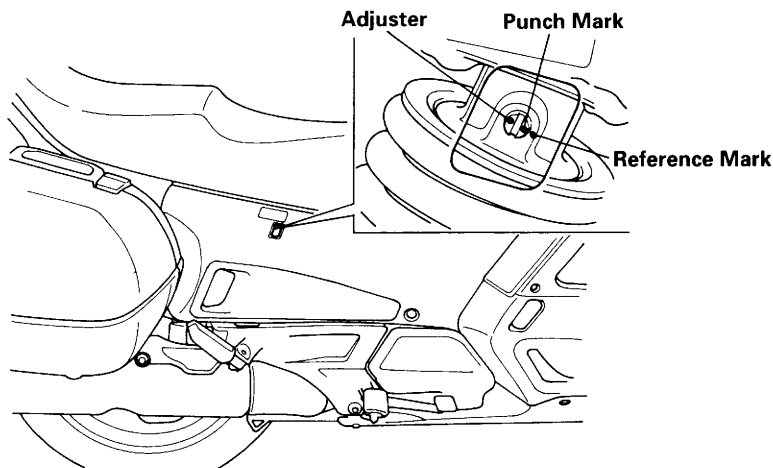


Rebound Damping adjustment:

The rebound damping adjuster has four adjustment positions.

To adjust to the standard position, proceed as follows:

1. Turn the adjuster clockwise until it stops.
2. Turn the adjuster counterclockwise 1 turn (model equipped with CBS/ABS/TCS: 1/2 turn) to align the punch mark on the adjuster with the reference mark.



Recommended adjuster positions:

CONDITIONS		REBOUND DAMPING Turn clockwise from standard position	SPRING PRELOAD
Rider	Cargo		
One	—	0° (no adjustment)	1 or 2
One	Cargo	180° (1/2 turn)	3
Two	—	270° (3/4 turn)	4
Two	Cargo	270° or 360° (3/4 to 1 full turn)	5

(For model equipped with CBS/ABS/TCS)

CONDITIONS		REBOUND DAMPING Turn clockwise from standard position	SPRING PRELOAD
Rider	Cargo		
One	—	0° (no adjustment)	1 or 2
One	Cargo	0° (no adjustment)	3
Two	—	90° (1/4 turn)	4
Two	Cargo	90° or 180° (1/4 to 1/2 full turn)	5