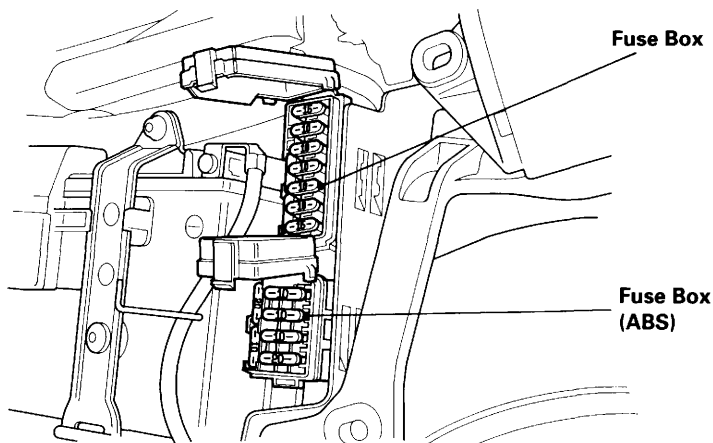


To replace fuses in the fuse box: remove the left side cover (page 66).

Pull the old fuse out of the clips. Push a new fuse into the clips and install the fuse box cover.



⚠ WARNING

- ***Never use a fuse with a different rating from that specified. Serious damage to the electrical system or a fire may result, causing a dangerous loss of lights or engine power.***

