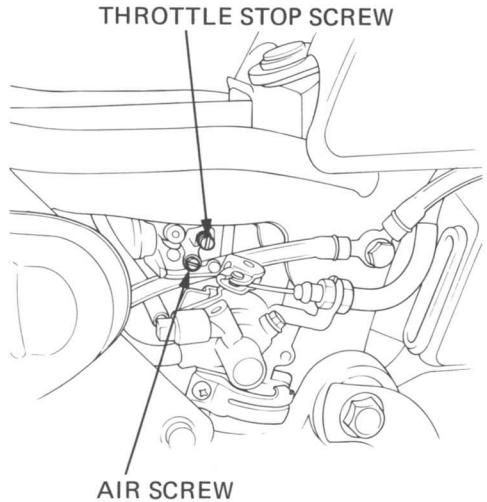

- IDLE SPEED ADJUSTMENT

Start the engine and warm it up to operating temperature.

Set the idle speed to 1,800 min⁻¹ (rpm) with the throttle stop screw.

If the engine misses or runs roughly when the throttle is "bripped", proceed to the following steps:

- (1) Screw the air screw in until it lightly seats; then back it off 1-1/4 turns (standard opening).
- (2) Set the idle speed to 1,800 min⁻¹ (rpm) with the throttle stop screw.
- (3) Turn the air screw in either direction to find the highest idle.
- (4) Again set the idle speed to 1,800 min⁻¹ (rpm) with the throttle stop screw.
- (5) If the idle speed still fluctuates when the throttle is "blipped", repeat the above steps (2) through (4) until it stabilizes.



NOTE:

- * See your authorized Honda dealer for carburetor adjustment.
- * Hold the motorcycle upright on the center stand.