

SPARK PLUG

(Refer to the maintenance precautions on page 78).

Recommended plugs:

Standard:

DPR7EA-9 (NGK) or
X22EPR-U9 (DENSO)

For cold climate: (Below 5 °C, 41 °F)

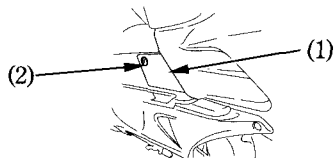
DPR6EA-9 (NGK) or
X20EPR-U9 (DENSO)

For extended high speed riding:

DPR8EA-9 (NGK) or
X24EPR-U9 (DENSO)

NOTE:

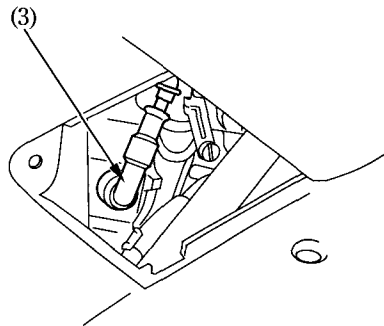
* Be careful not to damage the body parts when you maintain the spark plug.



(1) Maintenance lid

(2) Clip

1. Remove the maintenance lid (1) by removing the clip (2).
2. Disconnect the spark plug cap (3) from the spark plug.
3. Clean any dirt from around the spark plug base. Remove the spark plug using the plug wrench furnished in the tool kit.



(3) Spark plug cap