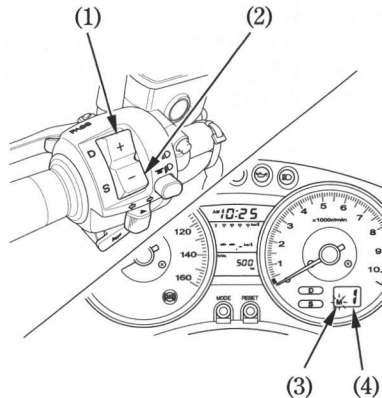


Switching Between 7-speed Automatic Mode and 7-speed Manual Mode

Switching 7-speed Automatic Mode to 7-speed Manual Mode:

Press the shift switch (+) (1) or (-) (2) once. The “M” icon mark (3) appears on the shift information display (4). When you press the shift switch (+) and change to the 7-speed manual mode, you can shift the upper gear. When you press the shift switch (-) and change to the 7-speed manual mode, you can shift the lower gear.



- (1) Shift switch (+)
- (2) Shift switch (-)
- (3) “M” icon mark
- (4) Shift information display