

ENGINE OIL

Engine Oil Level Check

Check the engine oil level each day before riding the scooter.

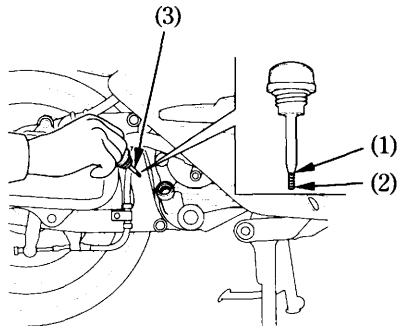
The level must be maintained between the upper (1) and lower (2) level marks on the oil filler cap/dipstick (3).

1. Start the engine and let it idle for 3–5 minutes.
2. Stop the engine and put the scooter on its center stand on level ground.
3. After 2–3 minutes, remove the oil filler cap/dipstick, wipe it clean, and reinsert the oil filler cap/dipstick without screwing it in. Remove the oil filler cap/dipstick. The oil level should be between the upper and lower level marks on the oil filler cap/dipstick.
4. If required, add the specified oil (see page 144) up to the upper level mark. Do not overfill.

5. Reinstall the oil filler cap/dipstick. Check for oil leaks.

NOTICE

Running the engine with insufficient oil pressure may cause serious engine damage.



- (1) Upper level mark
- (2) Lower level mark
- (3) Oil filler cap/dipstick