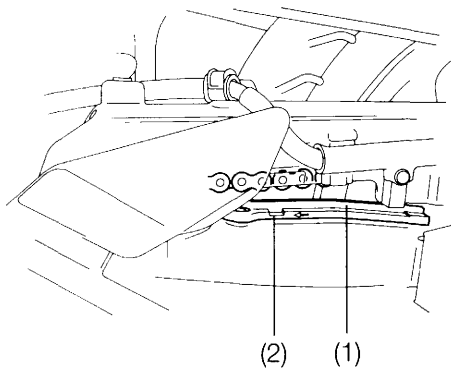


## DRIVE CHAIN SLIDER

(Refer to the maintenance precaution on page 58)

Check the chain slider (1) for wear.

The chain slider must be replaced if it is worn to the bottom of the cut out (2). For replacement, see your authorized Honda dealer.



(1) Chain slider

(2) Cut out