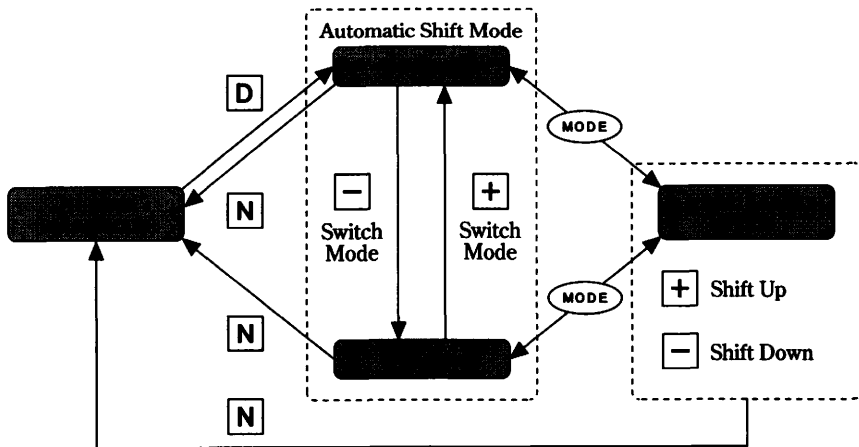


To switch modes between neutral and each drive mode, use the switches of the right and left handlebars as shown in the illustration. Refer to following pages for more information.



D : N-D shift switch (D)

MODE : Mode shift switch

+ : Shift switch (+)

N : N-D shift switch (N)

- : Shift switch (-)