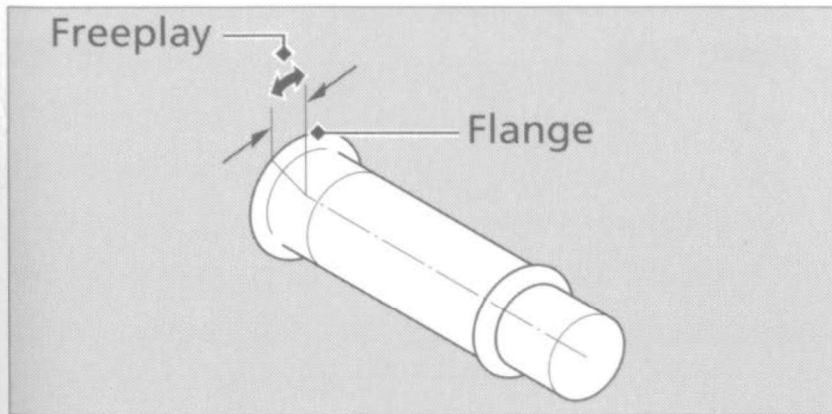


Checking the Throttle

With the engine off, check that the throttle rotates smoothly from fully closed to fully open in all steering positions and throttle freeplay is correct. If the throttle does not move smoothly, close automatically, or if the cable is damaged, have the scooter inspected by your dealer.

Freeplay at the throttle grip flange:
1/16 to 1/4 in (2 to 6 mm).



Adjusting the Throttle Cable Freeplay

1. Slide the rubber dust cover.
2. Loosen the lock nut.
3. Turn the adjuster until the freeplay is 1/16 to 1/4 in (2 to 6 mm).
4. Tighten the lock nut, return the rubber dust cover, and inspect the throttle action again.

