



Select Station

To raise the radio frequency — push the TUNE/CH lever up.

To lower the radio frequency — push the TUNE/CH lever down.

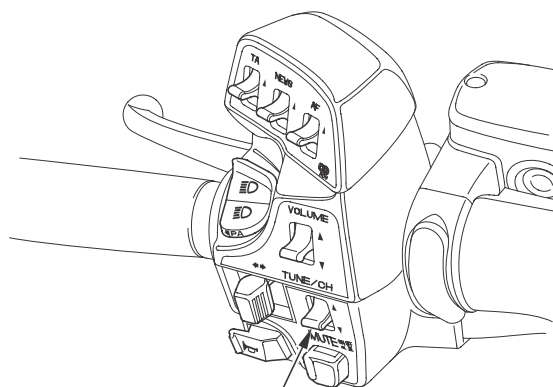
To move up or down the radio frequencies in sequence, move the lever one click at a time. The U (FM) frequency display moves in 100 KHz steps. The M (MW) frequency moves in 9 KHz steps. The L (LW) frequency moves in 3 KHz steps.

The SEEK function searches the band for a station with a strong signal. To activate it, push the TUNE/CH lever up or down and release it. The frequency display will begin moving. Depending on which way you push the switch, the system scans upward or downward from the current frequency.

It stops when it finds a station with a strong signal.

When the frequency display reaches either end, it transitions to the other end of the band and continues in the same direction.

To reach a known frequency rapidly — push the TUNE/CH lever up or down and continue to hold it down until you see the desired frequency.



TUNE/CH lever

