

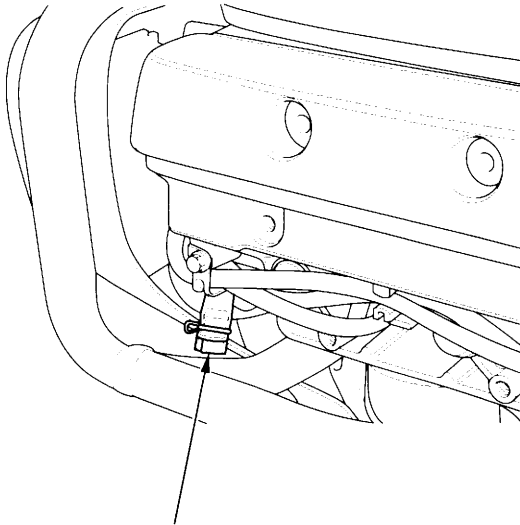
MAINTENANCE

CRANKCASE BREATHER

Refer to the Safety Precautions on page 130.

1. Remove the left cylinder head side cover (page 139).
2. Remove the crankcase breather tube plug from the tube and drain deposits.
3. Reinstall the crankcase breather tube plug.

Service more frequently when ridden in rain, at full throttle, or when deposits can be seen in the transparent section of the drain tube.



Crankcase breather tube plug