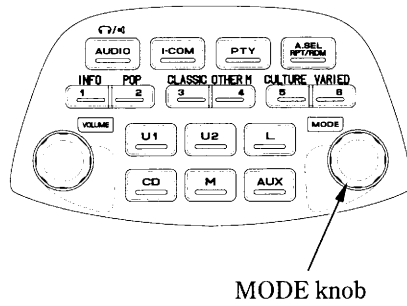

Ambience (AMB):

The “ambience” circuit blends and boosts certain frequencies from both channels, for a “live performance” effect. AMB may be used for stereo programs from the FM radio. However, the ambience circuit may make weak FM stereo signals sound worse.

- To use the circuit ————— push the MODE knob four times, and “AMB” will appear on the display. Then, within five seconds, change the ambience setting.
- To change the setting ——— turn the MODE knob (There are three settings: HI (high), LO (low), OFF.)

AMB
OFF

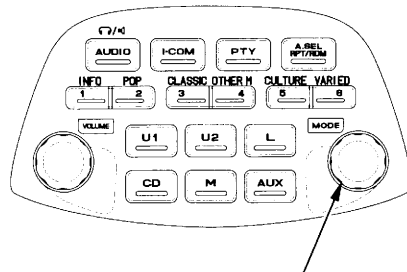


MODE knob

Beep Set:

- To use the circuit ————— push the MODE knob five times, and “BEEP” will appear on the display. Then, within five seconds, change the beep setting.
- To change the setting ——— turn the MODE knob. (ON or OFF)

BEEP
OFF



MODE knob