

FEATURES

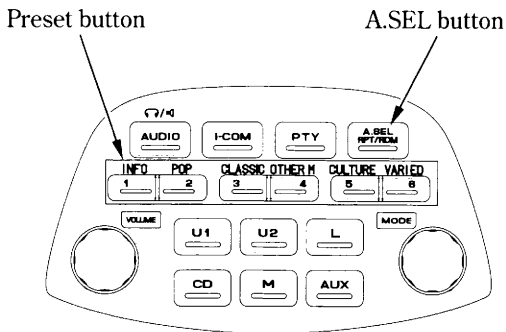
(Not required for operation)

Auto Select:

If you are traveling far from home and can no longer receive the stations you preset, you can use the Auto Select feature to find stations in the local area.

To activate Auto Select, push the A. SEL button. A.SEL will appear in the display, and the system will go into scan mode for several seconds.

It automatically scans both bands, looking for stations with strong signals. It stores the frequencies of six LW, MW stations and twelve UKW stations in the preset buttons. You can then use the preset buttons to select those stations.



If you are in a remote area, Auto Select may not find six strong LW, MW stations or twelve strong UKW stations. If this happens, you will see a “0” displayed when you push any preset button that does not have a station stored.

With Auto Select on, you cannot manually store any frequencies in the preset buttons. If you do not like the stations found by Auto Select, you can use the TUNE and SEEK functions to find other stations.

Auto Select does not erase the frequencies that you preset previously. When you return home, turn off Auto Select by pressing the A. SEL button. The preset buttons will then select the frequencies you originally set.