

FEATURES (Not required for operation)

Select Station:

To raise the radio frequency — push the TUNE/DISC lever up.

To lower the radio frequency — push the TUNE/DISC lever up.

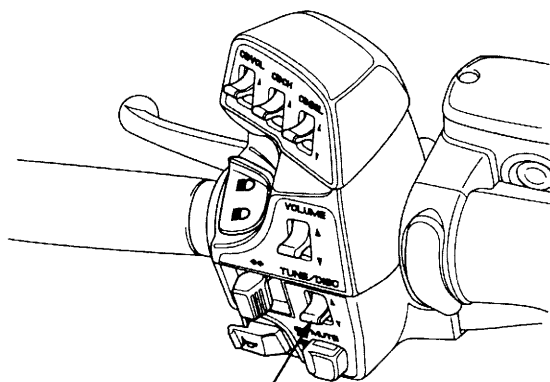
To move up or down the radio frequencies in sequence, move the lever one click at a time. The AM frequency display moves in 9 kHz steps. The FM frequency moves in 0.1 kHz steps.

The SEEK function searches the band for a station with a strong signal. To activate it, push the TUNE/DISC lever up or down and release it as soon as you hear a beep. The frequency display will begin moving. Depending on which way you push the switch, the system scans upward or downward from the current frequency.

It stops when it finds a station with a strong signal.

When the frequency display reaches either end, it transitions to the other end of the band and continues in the same direction.

To reach a known frequency rapidly — push the TUNE/DISC lever up or down and continue to hold it down after you hear a beep until you see the desired frequency.



TUNE/DISC lever