

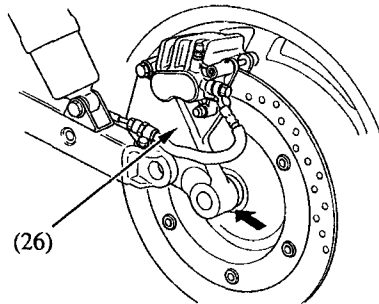
Installation Notes:

Reverse the removal procedure to install the wheel.

If a torque wrench was not used for installation, see your authorized Honda dealer as soon as possible to verify proper assembly. Improper assembly may lead to loss of braking capacity.

- Before installing the rear wheel, check that the wheel hub and final drive gear splines are coated with grease.
- Be sure the splines on the wheel hub fit into the final gear case.
- When installing the wheel, carefully fit the brake disc between the brake pads to avoid damaging the pads.

- If the caliper bracket cannot be inserted between the swing arm and wheel collar, align the holes in the swing arm and wheel collar, then carefully drive it into position with a plastic hammer in the direction shown.
- Replace the muffler gasket with a new one whenever the muffler is removed.



(26) Rear brake caliper bracket