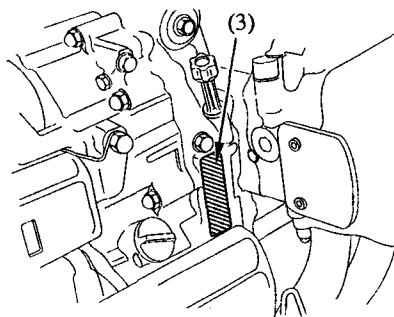


The engine number (3) is stamped on the right side of the crankcase.

ENGINE NO. _____



(3) Engine number

COLOR LABEL

The color label (1) is attached to the frame behind the left side cover.

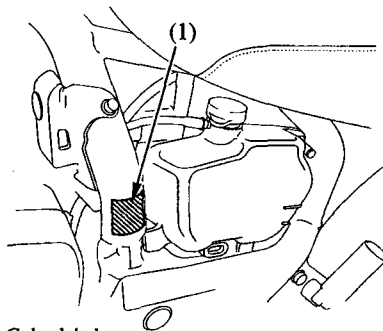
Remove the left side cover (page 42).

It is helpful when ordering replacement parts.

Record the color and code here for your reference.

COLOR _____

CODE _____



(1) Color label