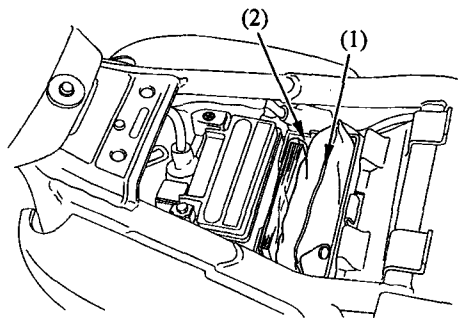


TOOL KIT

The tool kit (1) is in the tool kit compartment (2) under the seat (page 39).

Some roadside repairs, minor adjustments and parts replacement can be performed with the tools contained in the kit.

- 10 × 12 mm open end wrench
- 14 × 17 mm open end wrench
- 8 mm open end wrench
- 10 × 12 mm box end wrench
- 14 × 17 mm box end wrench
- 22 mm box end wrench
- 27 mm box end wrench
- 8 mm hex wrench
- 5 mm hex wrench
- 6 mm hex wrench
- Spark plug wrench
- No.2 Phillips screwdriver
- No.2 Screwdriver
- Screwdriver grip
- Pliers
- Pin spanner
- Extension bar
- Tool bag



(1) Tool kit

(2) Tool kit compartment