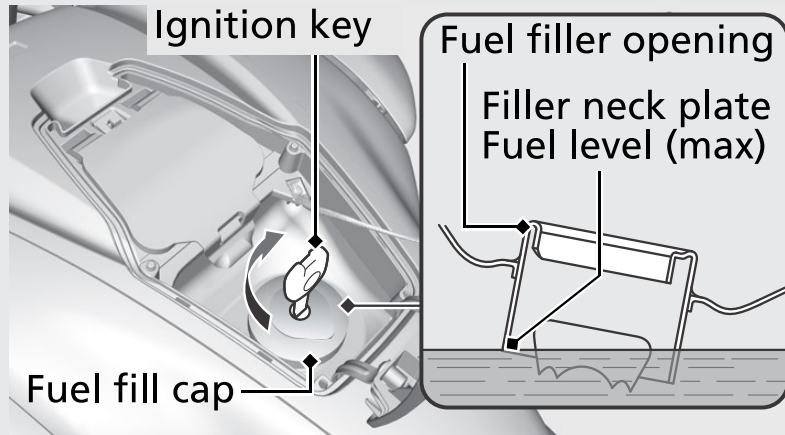
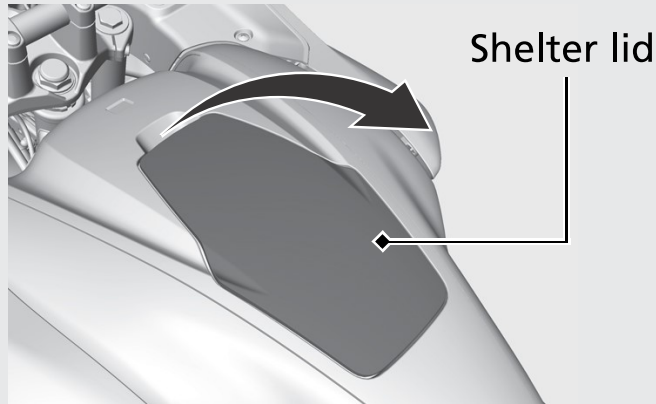


# Refuelling



**Fuel type:** Unleaded petrol only

**Fuel octane number:**

Your motorcycle is designed to use Research Octane Number (RON) 91 or higher.

**Tank capacity:** 12.4 litres (3.28 US gal, 2.73 Imp gal)

**Refueling and Fuel Guideline** ➔ P.15

## Opening the Fuel Fill Cap

- 1 Open the shelter lid.
- 2 Insert the ignition key, and turn it clockwise to remove the cap.