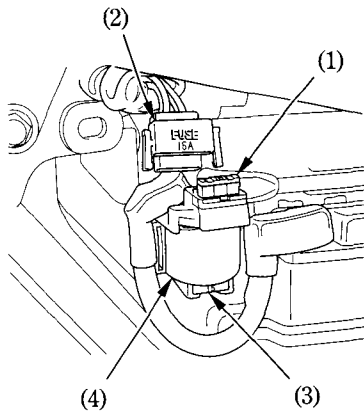


The fuse (1) is located behind the right side cover.

The specified fuse is:

15A

1. Remove the right side cover (page 37).
2. Disconnect the wire connector (2) of the starter magnetic switch.
3. Pull out the old fuse and install a new fuse. The spare main fuse (3) is located under the starter magnetic switch (4).
4. Reconnect the connector and install the right side cover.



- | | |
|--------------------|-----------------------------|
| (1) Fuse | (3) Spare fuse |
| (2) Wire connector | (4) Starter magnetic switch |