

Wear inspection:

Check the chain wear label when adjusting the chain. If the red zone (6) on the label aligns with the arrow mark (7) on the chain adjuster plates after the chain has been adjusted to the proper slack, the chain is excessively worn and must be replaced. The proper slack is:

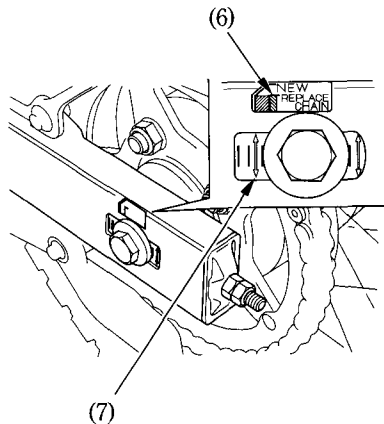
30 – 40 mm (1.2 – 1.6 in)

Damage to the bottom part of the frame may be caused by excessive drive chain slack of more than:

60 mm (2.4 in)

Replacement Chain:

D.I.D. 520VD



- (6) Red zone
- (7) Arrow mark