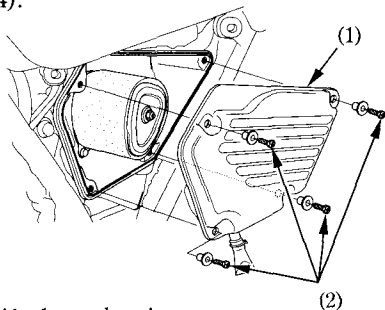


AIR CLEANER

Refer to the Safety Precautions on page 53 .

The air cleaner should be serviced at regular intervals (page 55). Service more frequently when riding in unusually wet or dusty areas.

1. Remove the left side cover (page 37).
2. Remove the air cleaner housing cover (1) by removing the screws (2).
3. Remove the nut (3) and the air cleaner (4).

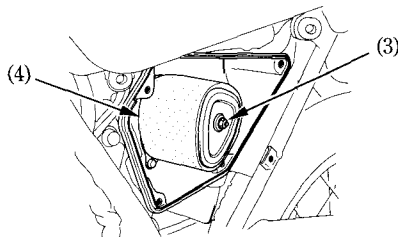


- (1) Air cleaner housing cover
(2) Screws

4. Wash the air cleaner in clean, nonflammable or high flash point solvent and let it dry thoroughly.

Never use petrol or low flash point solvents for cleaning the air cleaner. A fire or explosion could result.

5. Soak the air cleaner in gear oil (SAE 80–90) until saturated, then squeeze out the excess oil.
6. Install the removed parts in the reverse order of removal.



- (3) Nut
(4) Air cleaner