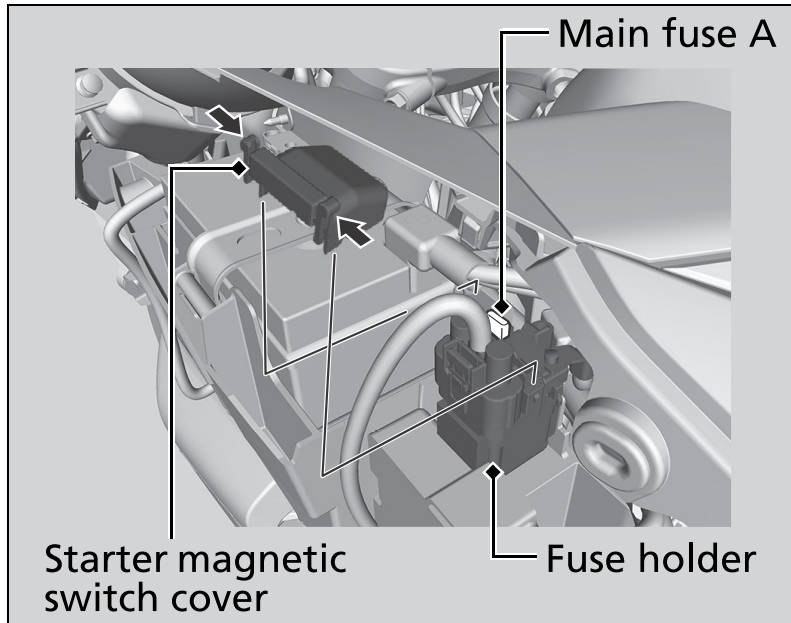


## Main Fuse A



1. Remove the left inner panel. ► P. 87
2. Remove the left shroud. ► P. 92
3. Remove the left middle cowl. ► P. 93
4. Remove the starter magnetic switch cover.
5. Pull the main fuse A out with the fuse puller in the tool kit (► P. 67) and check for a blown fuse.  
Always replace a blown fuse with a spare of the same rating.  
► Spare fuses are provided in the fuse box. ► P. 141
6. Install the parts in the reverse order of removal.

### NOTICE

If a fuse fails repeatedly, you likely have an electrical problem. Have your motorcycle inspected by your dealer.